

JIS 10K

SWING CHECK VALVE

Bolted cover, disc.

Designed to JIS B2031

Fig. 10FCO

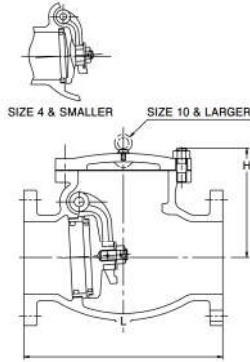
- Bronze trim

Fig. 10FCOS

- Stainless steel trim (13 Cr.)

Fig. 10FCOU

- Stainless steel trim (18-8)



Materials

Parts	Material	JIS Spec.		
		10FCO	10FCOS	10FCOU
Body	Cast Iron		FC200	
Cover	Cast Iron		FC200	
Disc	1 1/2 to 4	Bronze/Stainless Steel	CAC406	SUS403 SUS304
	5 & larger	Cast Iron		FC200
Hinge pin	Brass/Stainless Steel	C3771BD	SUS403	SUS304
Disc seat ring	Bronze/Stainless Steel	CAC406	SUS403	SUS304
Body seat ring	Bronze	CAC406	SUS403	SUS304
Arm	Stainless Steel		SCS13A	
Gasket		Asbestos-free		
Cover bolt/nut		Carbon Steel		

For JIS Valves Pressure-Temperature Ratings MPa, refer to page 2.

Dimensions

Valve Size	B	1 1/2*	2	2 1/2	3	4	5	6	8	10*	12*	14*
L Face-to-face	40	50	65	80	100	125	150	200	250	300	350	381
H Height	106	111	121	145	165	207	225	268	315	356	381	

Only 12" & 14" for 10FCOS & 10FCOU. *No JIS Mark

CLASS 125

SWING CHECK VALVE

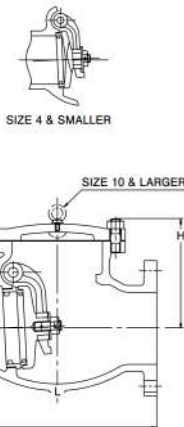
Bolted cover, disc.

Fig. 125FCO

- Bronze trim

Fig. 125FCOS

- Stainless steel trim (13 Cr.)



Materials

Parts	Material	ASTM Spec.	
		125FCO	125FCOS
Body	Cast Iron	A126 CL. B	
Cover	Cast Iron	A126 CL. B	
Disc	2 to 4	B62	A182 Gr.F6a
	5 & larger	A126 CL. B	
Hinge pin	Brass/Stainless Steel	B124 C37700	A276 Type403
Disc seat ring	Bronze/Stainless Steel	B62	A182 Gr.F6a
Body seat ring	Bronze/Stainless Steel	B62	A182 Gr.F6a
Arm	Stainless Steel	A351 Gr.CF8	
Gasket		Asbestos-free	
Cover bolt/nut		Carbon Steel	

For Class 125 Valves Pressure-Temperature Ratings, refer to page 2.

Dimensions

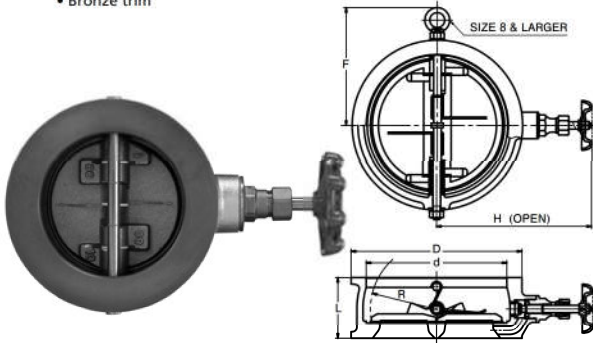
Valve Size	NPS	2	2 1/2	3	4	5	6	8	10	12	14
L Face-to-face	DN	50	65	80	100	125	150	200	250	300	350
H Height (OPEN)		111	121	145	165	207	225	268	315	356	381

10K

WAFER TYPE CHECK VALVE

Fig. 10FWZ

• Bronze trim



Materials

Parts	Material	JIS Spec.
Body	Cast Iron	FC250+NBR
Pin	Stainless Steel	SUS304
Disc	Bronze	CAC406
Nut 6 to 18	Stainless Steel	SUS304
Plug 11/2 to 5	Carbon Steel	S45CH

Bypass Valve

Parts	Material	JIS Spec.
Bonnet 11/2 to 5	Brass	C3771BE
6 to 18	Bronze	CAC406
Stem	Brass	C3531
Disc	Brass	C3531
Body seat ring	Brass	C3531
Grand packing	Asbestos-free	

Design Specifications

Items	
Shell wall thickness and general valve design	KITZ Standard
Face-to-face dimensions, end-to-end dimensions	KITZ Standard
End flange dimensions, gasket contact facing	Wafer Type (JIS 10K)

80°C Non-shock water: 1.4 MPa
 80°C Water, oil, air: 1.0 MPa

Dimensions

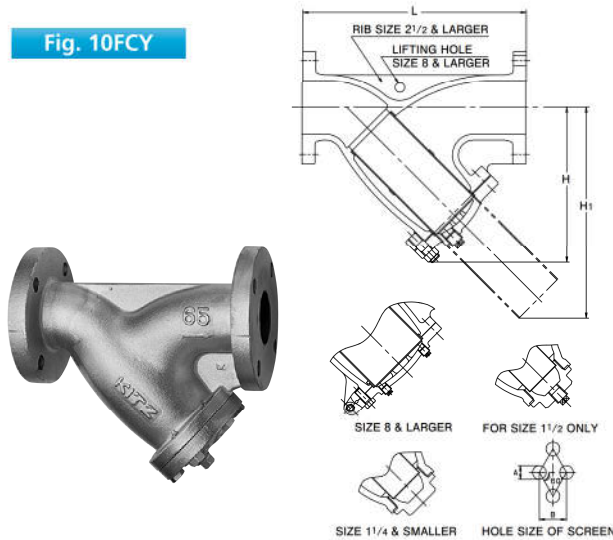
Valve Size	B	1 1/2	2	2 1/2	3	4	5	6	8	10	12	14	16	18
L	A	40	50	65	80	100	125	150	200	250	300	350	400	450
H Height (OPEN)		54	56	56	59	66	72	78	96	109	145	184	191	204
F		—	—	—	—	—	—	—	187	229	254	272	301	338
D		86	101	121	131	156	187	217	267	330	375	420	483	538
d		54	63	77	90	116	143	169	220	273	324	356	406	457
R		26	33	37	44	55	67	78	105	129	155	170	195	220

10K

Y-PATTERN STRAINER

Bolted cover, Y-pattern body, Punched stainless steel plate screen.

Fig. 10FCY



Materials

Parts	Material	JIS Spec.
Body	Cast Iron	FC200
Cap 3/8 to 11/2	Brass	C3771BE
Cover 2 & larger	Cast Iron	FC200
Screen	Stainless Steel	SUS304
Gasket	Asbestos-free	
Cover bolt/nut	Carbon Steel	
Plug	Stainless Steel	SUS304

Screen dimensions

Valve Size	A	B
3/8 to 2	1.4ø	2.4mm
2 1/2 to 5	1.5ø	2.5mm
6 & 8	3.0ø	5.0mm
10 to 14	5.0ø	7.0mm

120°C Non-shock water: 1.4 MPa
 120°C Water, oil, air: 1.4 MPa
 120°C Gas: 0.2 MPa, Saturated steam: 0.7 MPa

Strainer dimensions

Valve Size	B	3/8	1/2	3/4	1	1 1/4	1 1/2	2	2 1/2	3	4	5	6	8	10	12	14
L Face-to-face	A	10	15	20	25	32	40	50	65	80	100	125	150	200	250	300	350
H Height		46	57	63	77	90	100	138	208	237	280	325	370	457	536	625	741
H1		64	82	91	114	134	146	173	289	335	388	446	497	643	768	893	1047