

# GD-200·200H·200C

## Features

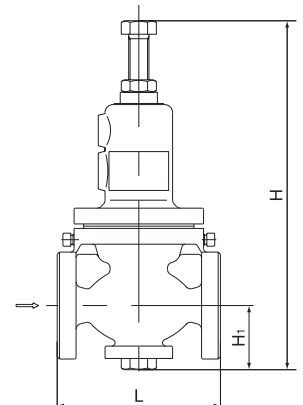
1. Pressure balance structure can keep the reduced pressure at a constant level without being affected by inlet pressure.
2. Highly wear-resistance and durability of stainless steel made valve seat.
3. Maintenance and inspection can be conducted easily by disassembling simply from the upper side.
4. A rubber disc prevents leakage when the valve is closed.
5. The GD-200C provides excellent corrosion resistance due to inner and outer body surface coated with Nylon 11.



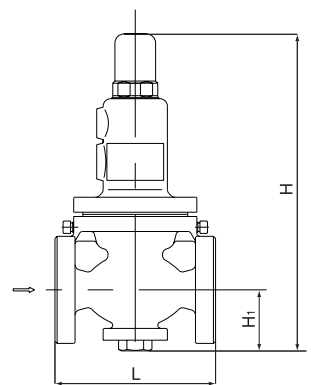
GD-200·200H



GD-200C



GD-200·200H



GD-200C

## Specifications

Model	GD-200	GD-200C	GD-200H
Application	Cold and hot water, Oil (kerosene, heavy oils A and B), Air, Other non-dangerous fluids		
Inlet pressure	1.0 MPa or less		2.0 MPa or less
Reduced pressure	15A-80A (A) 0.05-0.25 MPa (B) 0.26-0.7 MPa 100A-150A (A) 0.05-0.25 MPa (B) 0.26-0.5 MPa		15A-50A (A) 0.05-0.25 MPa (B) 0.26-0.7 MPa (C) 0.5-1.0 MPa 65A-80A (A) 0.05-0.25 MPa (B) 0.26-0.7 MPa (C) 0.5-0.9 MPa 100A-150A (A) 0.05-0.25 MPa (B) 0.26-0.5 MPa (C) 0.5-0.75 MPa
Minimum differential pressure	0.05 MPa		
Maximum pressure reduction ratio	10:1		
Minimum adjustable flow rate	Water: 5 L/min Air: 10 m <sup>3</sup> /h (standard condition)		
Application temperature	5-80°C	5-60°C	5-80°C
Fluid viscosity	600 cSt or less		
Material	Body	Ductile cast iron	
	Valve seat	Stainless steel	
	Valve disc	NBR	
	Diaphragm	NBR	
Connection	JIS 10K FF flanged		JIS 20K RF flanged
Inside surface treatment of body	15A-100A: Electrodeposition coating 125A-150A: Tar-based coating (black) or electrodeposition coating	Nylon 11 (inside and outside surfaces of body)	15A-100A: Electrodeposition coating 125A-150A: Tar-based coating (black) or electrodeposition coating

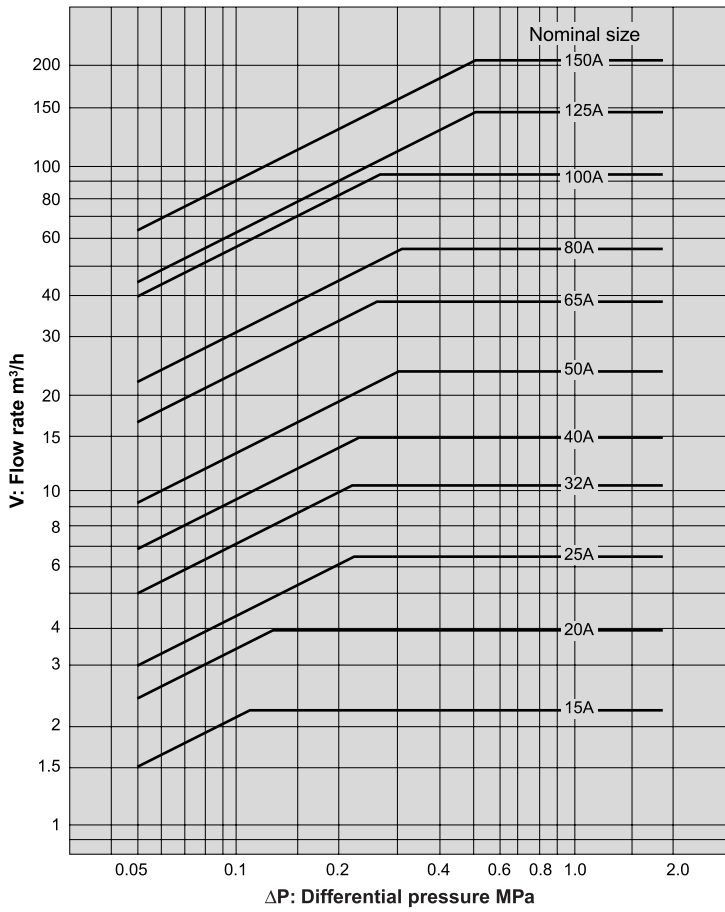
- Available with FKM type (except for the GD-200H (C) of 65A to 150A).
- Available with pressure gauge.
- Available with the GD-200HS for flushing water.

## Dimensions (mm) and Weights (kg)

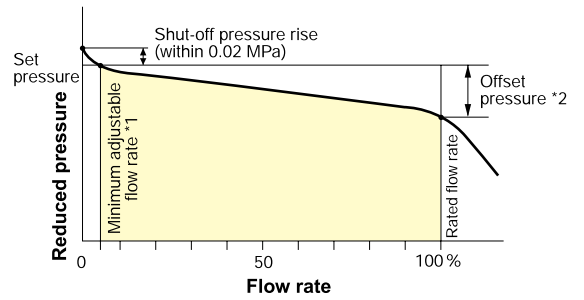
Nominal size	L	H		H <sub>1</sub>		Weight	
		GD-200·200H	GD-200C	GD-200·200H	GD-200C	GD-200·200H	GD-200C
15A	145	310	296	57		8.2	8.3
20A	150	310	296	57		8.2	8.3
25A	150	333	318	67		10.0	10.1
32A	195	397	398	76		17.3	17.4
40A	195	397	398	76		17.3	17.4
50A	195	415	412	81		19.2	19.3
65A	270	555	573	110	113	40.0	40.1
80A	270	582	598	125	128	43.7	43.8
100A	308	645	666	143	146	70.7	70.8
125A	380 (384)	849	875	179	182	144.0 (145.0)	144.1
150A	400 (404)	918	930	204	207	173.0 (175.0)	173.1

- The above values in parentheses are the dimensions and weights of the GD-200H.

**Nominal Sizes Selection Chart (For Water)**



**Flow Characteristic Chart**

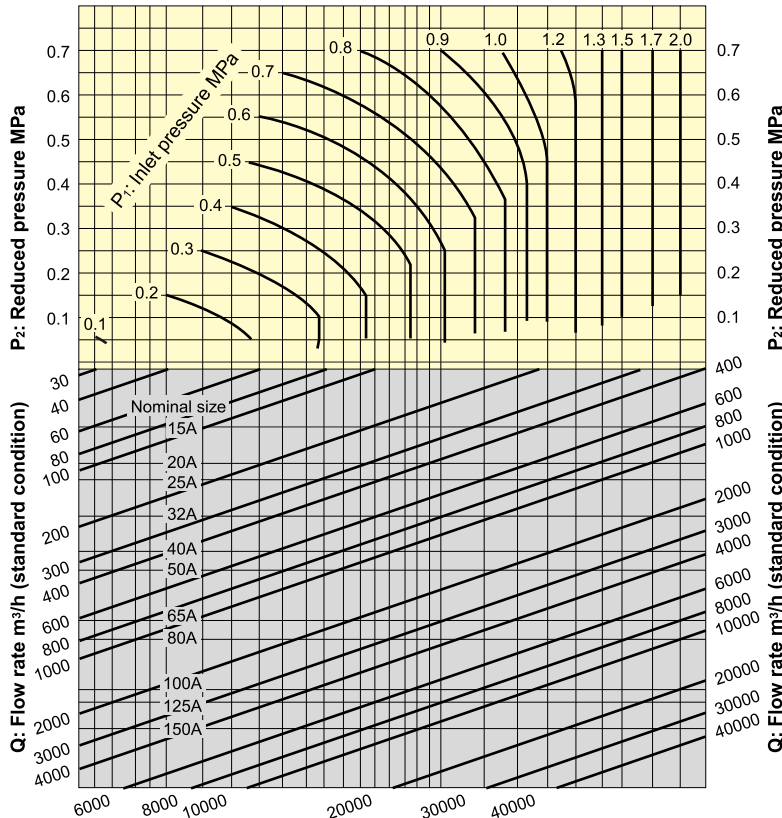


\*1 Minimum adjustable flow rate  
 For water: 5 L/min  
 For air: 10 m³/h (standard condition)

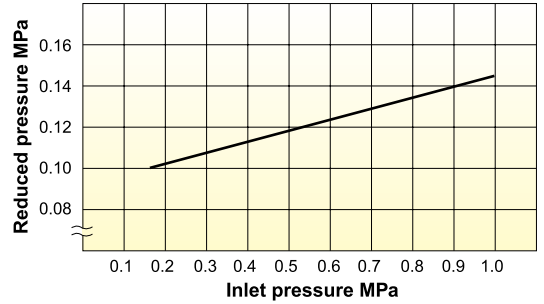
\*2 Offset pressure

Nominal size	Pressure range	Offset pressure
15-100A	(A), (B)	Within 0.05 MPa
	(C)	Within 0.11 MPa
	(A)	Within 0.05 MPa
125,150A	(A)	Within 0.05 MPa
	(B)	Within 0.07 MPa
	(C)	Within 0.11 MPa

**Nominal Sizes Selection Chart (For Air)**



**Pressure Characteristic Chart**



This chart shows variation in reduced pressure when the inlet pressure of 1.0 MPa is changed between 0.15 MPa and 1.0 MPa while the reduced pressure is set at 0.10 MPa.

• Set the safety factor at 80 to 90%.