

SU-20, 20S, 20C



Y type	Basket	Duplex	Temporary
Stainless steel	Nylon	Carbon steel	Easy plug
Pipe end core	One-touch	With fine mesh	Davit

4

Strainer

■Features

1. The largest possible filtration area in view of flow rate decrease caused by clogging.
2. Disassembling and cleaning are easy due to a simply structured cover that can be fixed and removed simply by tightening or unfastening a single bolt.
3. Excellent corrosion resistance due to the inner and outer surface coated with Nylon 11 (SU-20C).

■Specifications

· SU-20 · SU-20C

Application		Cold and hot water, Other non-dangerous fluids
Nominal size		20A-150A
Maximum pressure		1.0 MPa
Maximum temperature		220°C
Material	Body	Ductile cast iron
	Screen	Stainless steel
Screen	Perforation	φ 6-1.42 holes/cm ²
	Mesh	Standard 60 mesh
Connection		JIS 10K FF flanged

- Available with rust-proof (SU-20).
- Available with 20 to 250 mesh screen. Please contact us for 150 mesh or more.

· SU-20S

Application		Cold and hot water, Oil, Other non-dangerous fluids		
Nominal size		20A-100A	125A	150A
Maximum pressure		1.0 MPa	0.7 MPa	0.5 MPa
Maximum temperature		80°C		
Material	Body	Ductile cast iron		
	O-ring	NBR		
	Screen	Stainless steel		
Screen	Perforation	φ 6-1.42 holes/cm ²		
	Mesh	Standard 60 mesh		
Connection		JIS 10K FF flanged		

- Available with 20 to 150 mesh screen. Please contact us for 150 mesh or more.
- Available with O-ring FKM (Viton).



SU-20



SU-20C

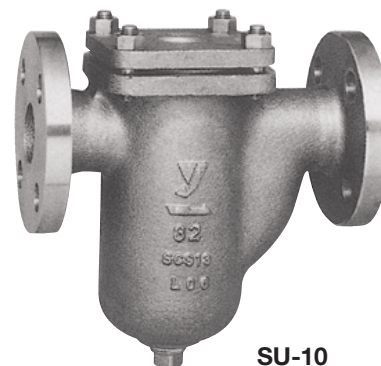


SU-20S

SU-10, 10S



Y type	Basket	Duplex	Temporary
Stainless steel	Nylon	Carbon steel	Easy plug
Pipe end core	One-touch	With fine mesh	Davit



SU-10

4

Strainer

■Features

1. The largest possible filtration area in view of decrease in flow rate caused by clogging.
2. Disassembling and cleaning are easy due to a simply structured cover that can be fixed and removed simply by tightening or unfastening a single bolt.
3. Stainless cast steel body is rust-less, available for a wide variety of applications ranging from food, chemical industry to oil piping.

■Specifications

· SU-10

Application		Cold and hot water, Oil, Other non-dangerous fluids
Nominal size		20A-150A
Maximum pressure		1.0 MPa
Maximum temperature		220°C
Material	Body	Cast stainless steel
	Screen	Stainless steel
Screen	Perforation	ϕ 6-1.42 holes/cm ²
	Mesh	Standard 60 mesh
Connection		JIS 10K FF flanged

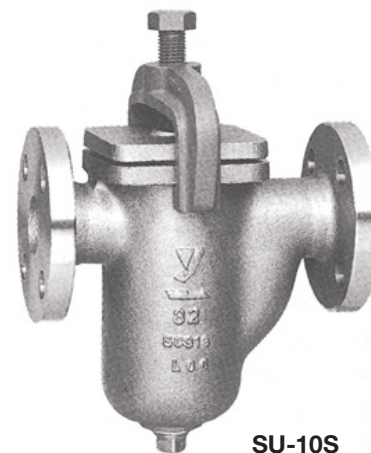
· Available with 20 to 150 mesh screen. Please contact us for 150 mesh or more.

· SU-10S

Application		Cold and hot water, Oil, Other non-dangerous fluids		
Nominal size		20A-100A	125A	150A
Maximum pressure		1.0 MPa	0.7 MPa	0.5 MPa
Maximum temperature		80°C		
Material	Body	Cast stainless steel		
	O ring	NBR		
	Screen	Stainless steel		
Screen	Perforation	ϕ 6-1.42 holes/cm ²		
	Mesh	Standard 60 mesh		
Connection		JIS 10K FF flanged		

· Available with 20 to 150 mesh screen. Please contact us for 150 mesh or more.

· Available with O-ring FKM (Viton).

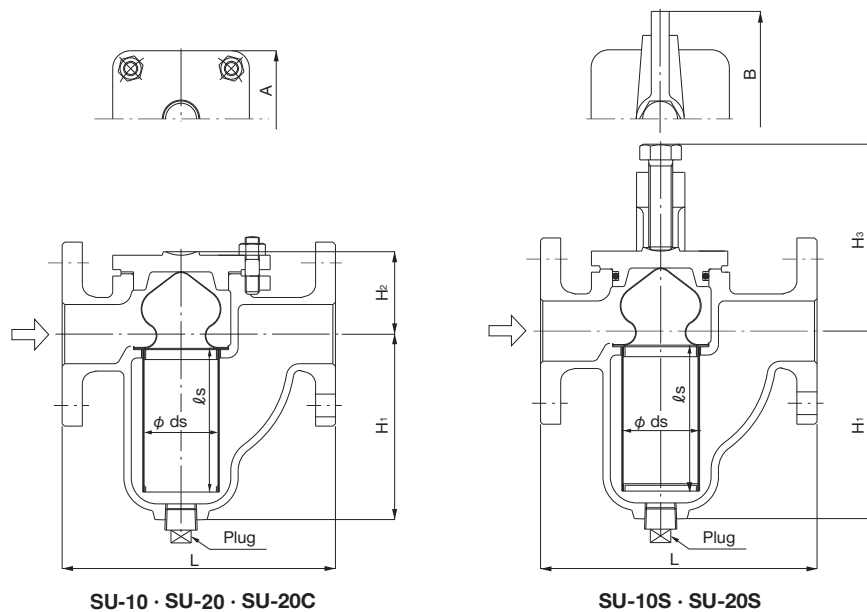


SU-10S

4

Strainer

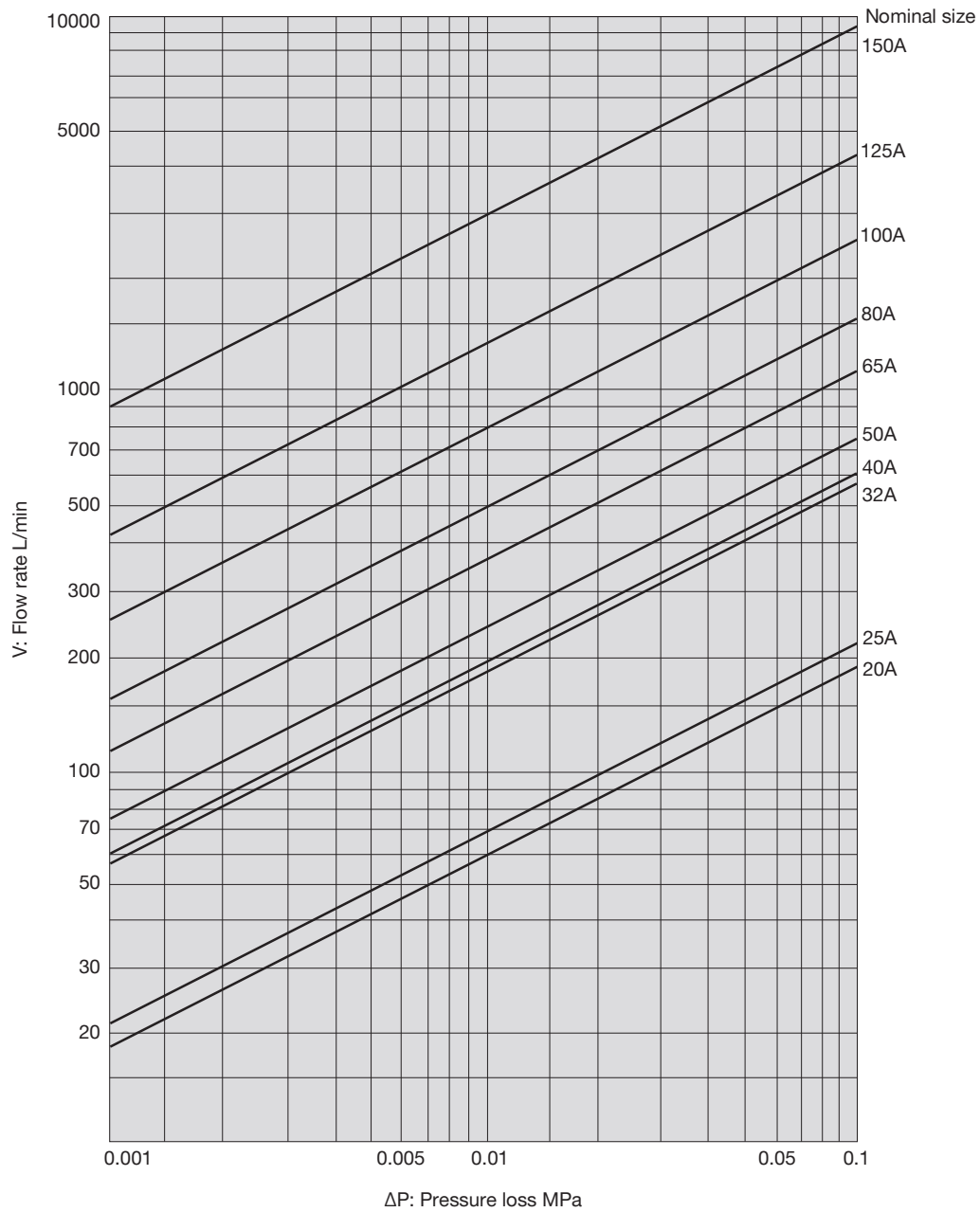
■Dimensions (mm) and Weights (kg)



Nominal Size	L	H ₁	H ₂	H ₃	A	B	ds	ls	Plug	Weight	
										SU-20 SU-10	SU-20S SU-10S
20A	175	97.5	54	107.5	87	131	40	70	R 3/8	5.0	5.6
25A	175	97.5	54	107.5	87	131	40	70	R 3/8	6.1	6.7
32A	230	146	67.5	151	115	179	64.5	108	R 3/4	11.1	12.5
40A	230	146	67.5	151	115	179	64.5	108	R 3/4	11.8	13.2
50A	230	156	69.5	153	115	179	64.5	120	R 3/4	12.4	13.8
65A	290	182	70	153.5	134	208	77	140	R 1	18.7	20.8
80A	300	197.5	88.5	189	185	249	90	160	R 1	23.8	27.1
100A	365	262	118.5	253	220	334	120	210	R 1-1/4	41.3	48.6
125A	425	340.5	134.5	269	248	362	140	270	R 1-1/2	61.4	69.4
150A	505	378	158.5	293	305	414	175	300	R 2	98.4	108.3

■ Pressure Loss Chart (For Water)

· Screen: Perforation = ϕ 6-1.42 holes/cm², Mesh = 60 mesh



Please refer to P.4-12 for the information about how to look the chart, and calculating example.

SU-50H, 50S, 50SS

Y type

Basket

Duplex

Temporary

Stainless steel

Nylon

Carbon steel

Easy plug

Pipe end core

One-touch

With fine mesh

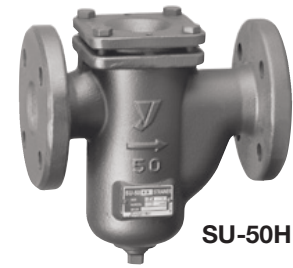
Davit

4

Strainer

■Features

1. Standard 316 stainless steel ensures excellent rust-proof performance.
2. Cover with O-ring ensures superior sealing.
3. Quick-open type, disassembly and screen cleaning are easy (SU-50S and SU-50SS).
4. Ductile cast iron body, the maximum pressure is 2.0 MPa (SU-50H).



SU-50H



SU-50S

■Specifications

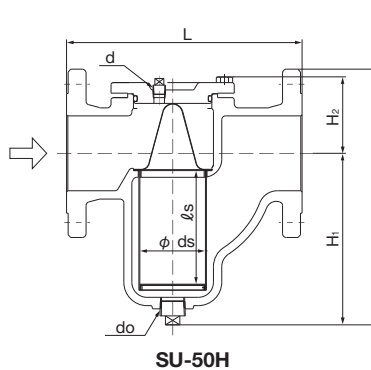
Model		SU-50H	SU-50S	SU-50SS
Application		Water, Oil		Water, Oil, Flushing water
Nominal size		50A, 65A, 80A, 100A, 150A		
Maximum pressure		2.0 MPa	1.0 MPa	
Maximum temperature		80°C		
Material	Body	Ductile cast iron *		Ductile cast iron with Epoxy Coating
	Cover	Ductile cast iron	Carbon steel	Stainless steel
	O-ring	NBR		
Screen	Screen	Stainless steel (SUS316)		
	Perforation	φ 2.5-7.21 holes/cm ²		
	Mesh	Standard 60 mesh		
Connection		JIS 20K RF flanged or BS4504 PN16 flanged		

* Available with Epoxy Coating for flushing water.

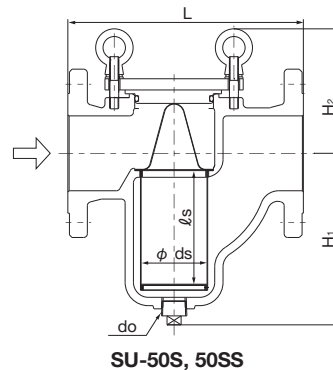
· Available with 20 to 100 mesh screen.

■Dimensions (mm) and Weights (kg)

Size	L	H ₁	H ₂			ds	ℓs	d	do	Weight	
			SU-50H	SU-50S	SU-50SS					SU-50H	SU-50S·50SS
50A	243	166	88	140	144	64.5	108	R 1/4	R 3/4	13.0	13.0
65A	254	166	88	140	144	64.5	108	R 1/4	R 3/4	15.0	15.0
80A	300	204	98	163	165.5	77	140	R 3/8	R 1	20.0	20.0
100A	315	230	103	166.5	169	90	160	R 3/8	R 1	29.0	28.0
150A	455	385	137	211	214	140	270	R 3/8	R 1-1/2	73.5	72.0



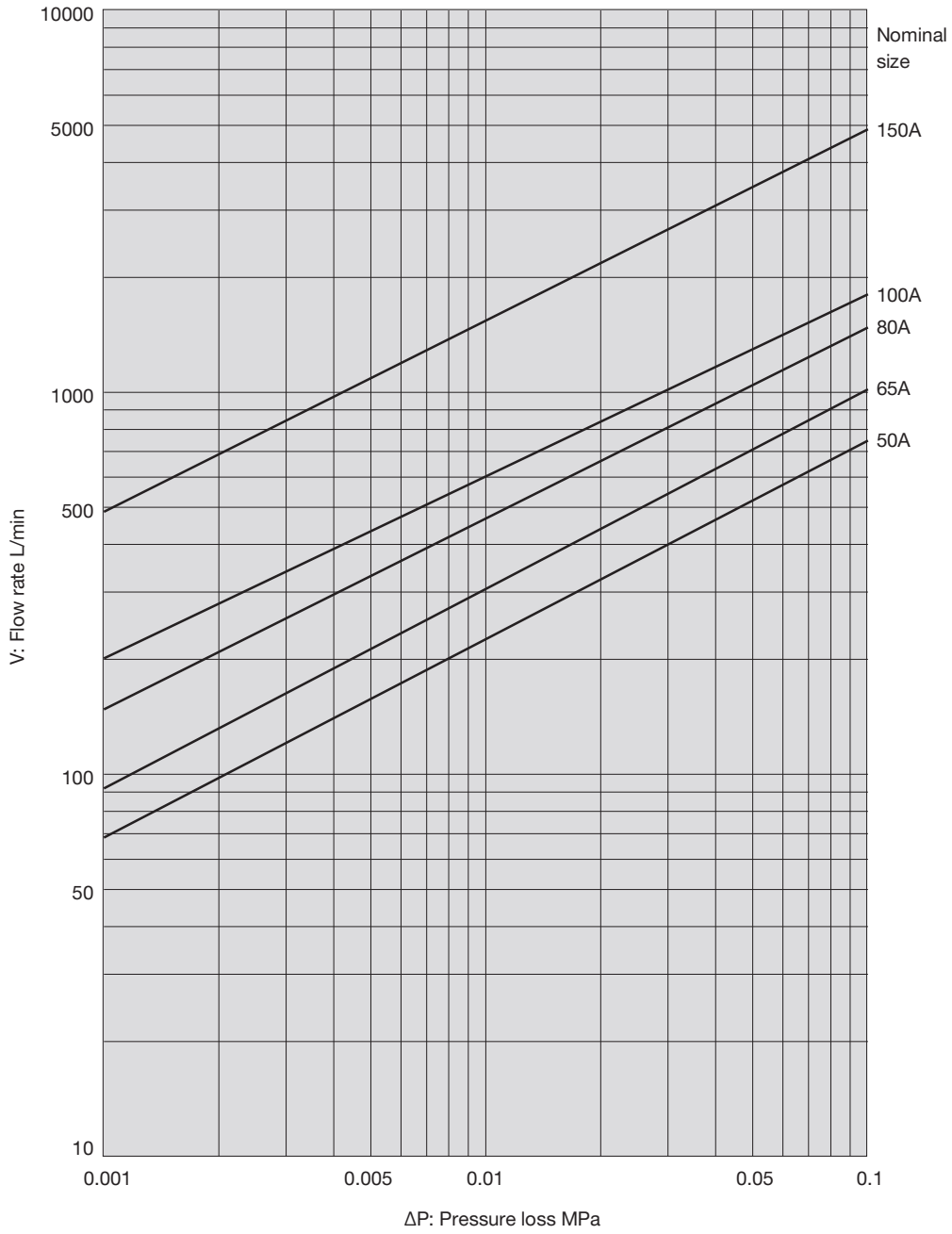
SU-50H



SU-50S, 50SS

■ Pressure Loss Chart (For Water)

· Screen: Perforation = $\phi 2.5$ -7.21 holes/cm², Mesh = 60 mesh



Please refer to P.4-12 for the information about how to look the chart, and calculating example.