

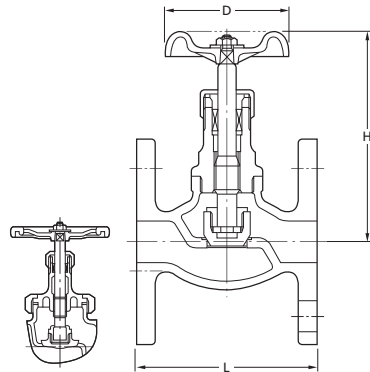
10K

GLOBE VALVE

Pressure-Temperature Rating: 1.0MPa: 180°C
200psi. W.O.G.: 350°F S.P.

UJB

UJBM



2 1/2 and larger

2 and smaller



Face-to-Face Dimensions: JIS B2011
End Flange Dimensions: JIS B2220*
Wall Thickness: KITZ Std.

*Except flange thickness.

Parts	UJB	UJBM
Body	SCS13A	SCS14A
Bonnet	SCS13A	SCS14A
Stem	SUS304	SUS316
Disc	SUS304	SUS316/SCS14A
Gland	SUS304	SUS316
Gland packing	Refer to Page 10	
Packing nut	SUS304 / SCS13A	
Handwheel	ZDC (3/8-3/4) / ADC12 (1-2) / FCD400 (21/2&3)	
Bonnet ring*	SCS13A	SCS14A
Gasket*	Asbestos-free	
Packing washer	SUS316	
Stem washer	SUS316	
Name plate	A1050P	

*For size 2 1/2 and larger

Nominal Size	Unit:mm								
	3/8	1/2	3/4	1	1 1/4	1 1/2	2	2 1/2	3
L	10	15	20	25	32	40	50	65	80
H	85	85	95	110	130	150	180	210	240
D	109	111	112	142	150	171	189	253	280
	60	60	70	90	90	100	115	180	225