

# Style 100 Single-Sphere Connectors

## Structure

Item No	Part	Material
1	Body	CR, EPDM, IIR, NBR, CSM, VITON
2	Reinforce	Nylon Cord Fabric
3	Wire	Hard Steel Wire
4	Floating Flange	Mild Steel Zinc Plated RST 37-2

Flanges drilling: Available ANSI B 16.5, DIN 2501, JIS B 2210, BS 4504, AS 2129, ISO 7005, etc. and other standard drilling for your specifications.

## Features

1. Four way greater movements provide high level of installation flexibility.
2. Precision molded of synthetic rubber reinforced with nylon type cord.
3. Excellent ability to absorb vibration and sound, withstand high pressure.
4. Withstand chemical corrosion, to resist acid and ozone attack.
5. Easy to install, use floating flanges.

## Application

Colour Code	Tube In Material	Cover out Material	Application
Blue	Neoprene	Neoprene	Excellent Aging resistance, for alkaline and acid salt solutions and aldehydes.
Red	EPDM	EPDM	Higher temp. good ozone resistance, resilience, bend easier lower temp, but not suitable oils.
Black	Butyl	Butyl	Lower impermeable; offer ozone, weather, abrasion, chemical resistance.
Yellow	Nitrile	Neoprene	Recommend for oils, greases, petrol, fats, glycos, alcohols, ethers and gas.
White	Nitrile	Nitrile	For drinking water or food grade white color quality up to 150 psi/10bar at 158F/70 ° C.
Green	Hypalon	Hypalon	Ozone resistance sunlight stable, for strong acids, alkalis and chemicals.

## Specification

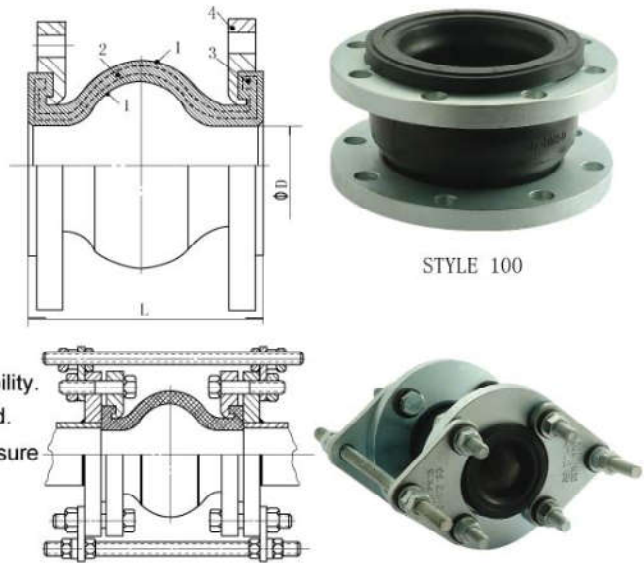
Nominal Diameter	Face to Face	Temp. ° C	Travel mm Total Compressed	Allowable Movement (mm)			Pressure			
				Axial	Lateral	Angular	Positive PSIG/BAR	Negative Vacuum		
Inch	mm	mm	Extended	Com-Pression	Extension	Deflection	Deflection	at F/80 ° C	mm Hg	
1-1/4"	32	95	-30-110	87-99	9	6	9	15	225(16)	660
1-1/2"	40	95	-30-110	87-99	10	6	9	15	225(16)	660
2"	50	105	-30-110	99-110	10	7	10	15	225(16)	660
2-1/2"	65	115	-30-110	103-121	13	7	11	15	225(16)	660
3"	80	130	-30-110	118-133	15	8	12	15	225(16)	660
4"	100	135	-30-110	117-145	19	10	13	15	225(16)	660
5"	125	170	-30-110	152-180	19	12	13	15	225(16)	660
6"	150	180	-30-110	162-190	20	12	13	15	225(16)	660
8"	200	205	-30-110	180-220	25	16	14	15	225(16)	660
10"	250	240	-30-110	215-254	25	16	22	15	225(16)	660
12"	300	260	-30-110	235-274	25	16	22	15	225(16)	660
14"	350	265	-30-110	240-281	25	16	22	15	150(10)	660
16"	400	265	-30-110	240-281	25	16	22	15	150(10)	660
18"	450	265	-30-110	240-281	25	16	22	15	150(10)	660
20"	500	265	-30-110	240-281	25	16	22	15	150(10)	660
24"	600	265	-30-110	240-281	25	16	22	15	150(10)	660
28"	700	265	-30-110	240-281	25	16	22	10	85 (6)	400
32"	800	265	-30-110	240-281	25	16	22	10	85 (6)	400
36"	900	265	-30-110	240-281	25	16	22	10	85 (6)	400
40"	1000	300	-30-110	270-320	30	20	22	10	85 (6)	300
48"	1200	300	-30-110	270-320	30	20	22	10	85 (6)	300

## Operation Conditions

1-1/4" to 12" Burst Pressure: 60 kg/cm<sup>2</sup>, Working Pressure: 16 kg/cm<sup>2</sup>

14" to 24" Burst Pressure: 40 kg/cm<sup>2</sup>, Working Pressure: 10 kg/cm<sup>2</sup>

28" to 48" Burst Pressure: 24 kg/cm<sup>2</sup>, Working Pressure: 6 kg/cm<sup>2</sup>



上海聯陽金屬橡膠有限公司  
Shanghai Lianyang Metal & Rubber Co., Ltd