

Wafer Type **Lever Operated**

ASME 150/200 psi Design
200DJ □□

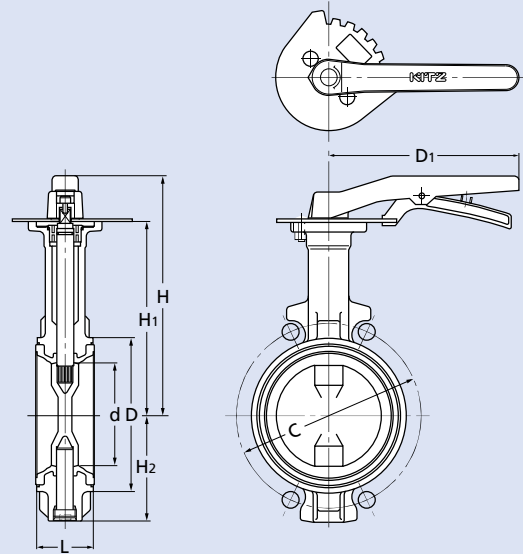
EN PN16 Design
PN16DJ □□

JIS 10K Design
10DJ □□

JIS 16K Design
16DJ □□

□□ of product coding
are disc and seat
material coding

Please refer to page 1.



ASME 200 psi • EN PN16 • JIS 10K • JIS 16K Design Dimensions

(mm)

Nominal Size		d	H	H1	H2	L	D	C				D1
inch	mm							ASME 200	EN PN16	JIS 10K	JIS 16K	
2	50	50	191	147	67	43	90	120.5	125	120	120	180
2½	65	65	199	155	75	46	104	139.5	145	140	140	180
3	80	80	217	173	91	46	124	152.5	160	150	160	180
4	100	100	227	183	101	52	146	190.5	180	175	185	180
5	125	125	265	211	127	56	176	216	210	210	225	230
6	150	150	277	223	139	56	206	241.5	240	240	260	230
8	200	197	295	248	169	60	257	298.5	295	290	305	350