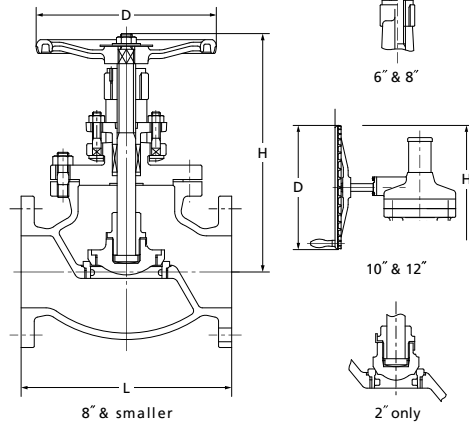


# 10K Globe Valve

## 10SPBOF

B.B.O.S.Y.  
FF-flanged



F-F dimension : JIS B 2002  
End flanges : JIS B 2239 10K

120°C Static water.....1.4MPa  
220°C Steam, air, gas, oil.....1.2MPa  
300°C Steam, air, gas, oil.....1.0MPa

- Use for lubricating or hydraulic oil is acceptable. Contact KITZ Corporation for technical advice, if valves are used as heat transfer media.
- Bolting materials will be changed for servicing high temperature exceeding 225°C. Contact KITZ Corporation for detailed information.

### Materials

Parts	JIS material
Body	FCD-5
Bonnet	FCD-5
Stem	SUS403
Disc	FCD-5 (2" : SUS403)
Disc seat ring	SUS403
Body seat ring	SUS403
Lock nut	FCD-5
Gland	FCD-5
Gland packing	Non-asbestos Packing
Handwheel	FCD400
Wheel nut	SS400
Packing washer	SUS403
Bonnet bolt/nut	SS400
Gland bolt/nut	SS400
Gasket	Stainless Foil Inserted Flexible Graphite
Name plate	A1050P
Yoke bush	C6782BE: 2" ~ 8"

### Dimensions

Size	mm									
	50	65	80	100	125	150	200	250	300	
L	203	216	241	292	356	406	495	622	698	
H (open)	302	317	356	377	460	524	585	880	943	
D	200	225	250	250	300	350	400	360	360	

NOTE : For flange dimensions, refer to Page 40. ※RF-flanged ends shall be optionally available.