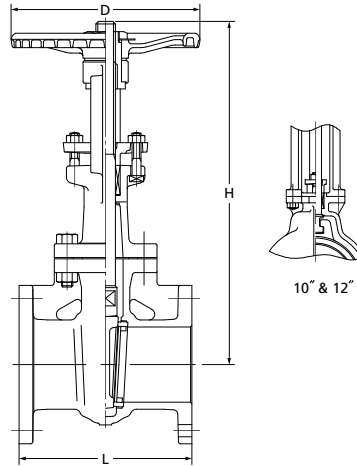
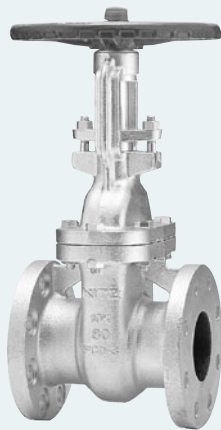


**KITZ Ductile Iron Valves**

# 10K Gate Valve

**10SMBOF**  
 B.B.O.S.Y.  
 FF-flanged



F-F dimension : JIS B 2002  
 End flanges : JIS B 2239 10K

120°C Static water..... 1.4MPa  
 220°C Steam, air, gas, oil..... 1.2MPa  
 300°C Steam, air, gas, oil..... 1.0MPa

- Use for lubricating or hydraulic oil is acceptable. Contact KITZ Corporation for technical advice, if valves are used as heat transfer media.
- Bolting materials will be changed for servicing high temperature exceeding 225°C. Contact KITZ Corporation for detailed information.

**Materials**

Parts	JIS material
Body	FCD-S
Bonnet	FCD-S
Stem	SUS403
Disc	SUS403 / SCS1 (1 1/2" ~ 8") SFVC2A +13Cr (10") SCPH2 +13Cr (12")
Body seat ring	SUS403
Gland	FCD-S
Gland packing	Non-asbestos Packing
Handwheel	FCD400
Wheel nut	SS400
Bonnet bolt/nut	Carbon Steel
Gland bolt/nut	Carbon Steel
Yoke sleeve	C6782BE (8" ~ 12" : CAC302)
Yoke	FCD-S
Gasket	Non-asbestos Sheet
Name plate	A1050P

**Dimensions**

Size	mm										
	40	50	65	80	100	125	150	200	250	300	
L	165	178	190	203	229	254	267	292	330	356	
H (open)	300	352	410	479	566	667	779	993	1181	1404	
D	160	200	200	250	250	300	300	350	400	450	

NOTE : For flange dimensions, refer to Page 40. ※RF-flanged ends shall be optionally available.