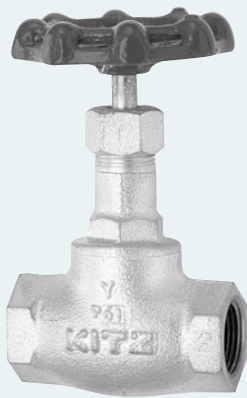


KITZ Ductile Iron Valves

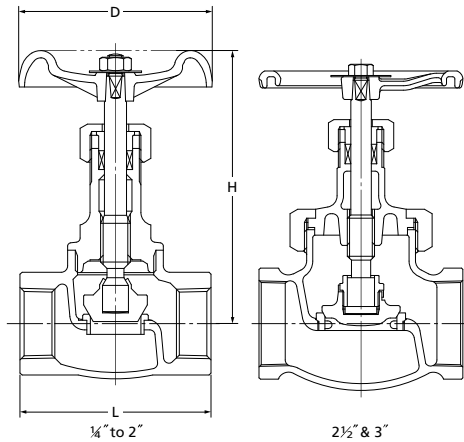
JIS 10K Globe Valve

10SJ

S.B.I.S. or U.B.I.S.



S.B.I.S. for 2" & smaller
U.B.I.S. for 2 1/2" & 3"



E-E dimension : JIS B 2051 *
End threads : JIS B 0203
*KITZ Std. for 1/4", 3/8", 2 1/2", & 3"

120°C Static water..... 1.4MPa
220°C Steam, air, gas, oil..... 1.0MPa

●Use for lubricating or hydraulic oil is acceptable. Contact KITZ Corporation for technical advice, if valves are used as heat transfer media.

Materials

Parts	JIS material
Body	FCD-S
Bonnet	FCD-S
Stem	SUS420J2
Disc	SUS403
Body seat ring	SUS403
Gland	SUS403 (1/4" ~ 3/4" : SUS420J2)
Gland packing	Non-asbestos Packing
Packing nut	FCD-S
Handwheel	FCD450-10 (2 1/2" & 3" : FCD400-15)
Wheel nut	SS400
Gasket	Stainless Foil Inserted Flexible Graphite
Bonnet ring	FCD-S
Name plate	A1050P

Dimensions

Size	mm									
	8	10	15	20	25	32	40	50	65	80
	1/4	3/8	1/2	3/4	1	1 1/4	1 1/2	2	2 1/2	3
L	50	55	65	80	90	105	120	140	180	200
H (open)	108	108	122	125	146	160	180	198	250	280
D	60	60	70	80	90	100	115	135	180	225