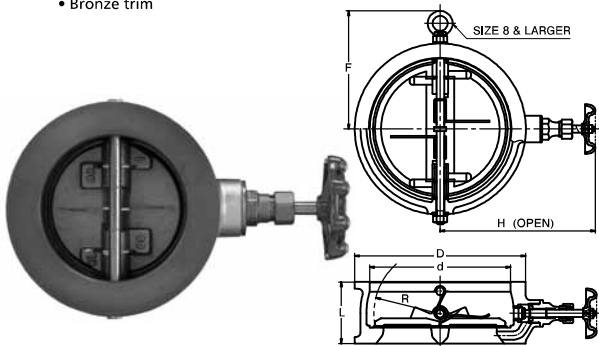


10K

IRON WAFER TYPE CHECK VALVE

Fig. 10FWZ

• Bronze trim



Materials

Parts	Material	JIS Spec.
Body	Cast Iron	FC250+NBR
Pin	Stainless Steel	SUS304
Disc	Bronze	CAC406
Nut 6 to 18	Stainless Steel	SUS304
Plug 1 1/2 to 5	Carbon Steel	S45CH

Bypass Valve

Parts	Material	JIS Spec.
Bonnet 1 1/2 to 5	Brass	C3771BE
6 to 18	Bronze	CAC406
Stem	Brass	C3531
Disc	Brass	C3531
Body seat ring	Brass	C3531
Grand packing	Asbestos-free	

Design Specifications

Items	
Shell wall thickness and general valve design	KITZ Standard
Face-to-face dimensions End-to-end dimensions	KITZ Standard
End flange dimensions Gasket contact facing	Wafer Type (JIS 10K)

80°C Non-shock water 1.4MPa

80°C Water, oil, air 1.0MPa

Dimensions

Valve Size	B	1 1/2	2	2 1/2	3	4	5	6	8	10	12	14	16	18
	A													
L	54	56	56	59	66	72	78	96	109	145	184	191	204	
H Height (OPEN)	128	143	150	156	169	183	216	243	290	315	330	355	388	
F	—	—	—	—	—	—	—	187	229	254	272	301	338	
D	86	101	121	131	156	187	217	267	330	375	420	483	538	
d	54	63	77	90	116	143	169	220	273	324	356	406	457	
R	26	33	37	44	55	67	78	105	129	155	170	195	220	

mm