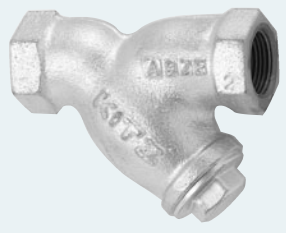
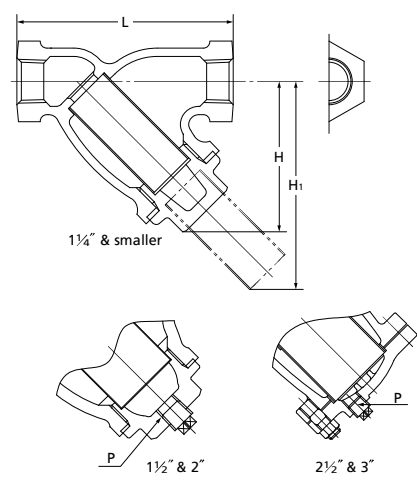


10K Strainer for Gas Service

10FDY
B.C. or S.C.



B.C. for 2 1/2" & 3"
S.C. for 2" & smaller



E-E dimension : KITZ Std.
End threads : JIS B 0203

120°C Static water..... 1.4MPa
200°C Steam, air, gas, oil..... 1.0MPa

- Use for lubricating or hydraulic oil is acceptable. Contact KITZ Corporation for technical advice, if valves are used as heat transfer media.
- Employment of copper cap prohibits use of this valve for ammonia or amine chemicals.

Screen Hole Size

Valve Size	A	B
1/4" ~ 2"	1.4	2.4
2 1/2" & 3"	1.5	2.5

Materials

Parts	JIS material
Body	FCD-S
Cap (1/4" ~ 2")	C3771BE
Cover (2 1/2" & 3")	FCD-S
Gasket	Non-asbestos (2 1/2" & 3": Flexible Graphite)
Screen	SUS304
Plug *	SUS304

* 1 1/2" & larger

Dimensions

Size	mm	8	10	15	20	25	32	40	50	65	80
	inch	1/4	3/8	1/2	3/4	1	1 1/4	1 1/2	2	2 1/2	3
L		65	70	85	100	115	135	150	180	220	250
H		46	46	60	65	75	90	100	115	191	215
P		—	—	—	—	—	—	Rc3/8	Rc1/2	Rc1/4	Rc1/4
H1		63	63	85	95	110	130	145	170	271	311