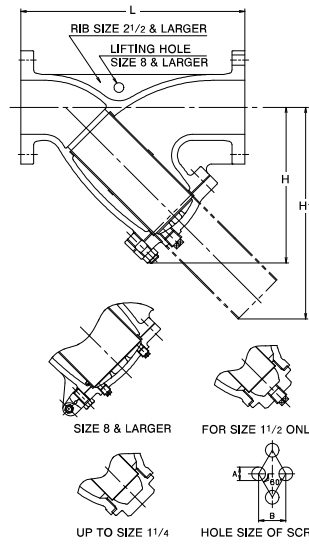


10K

IRON Y-PATTERN STRAINER

Bolted cover, Y-pattern body, Punched stainless steel plate screen.

Fig. 10FCY



Materials

Parts	Material	JIS Spec.
Body	Cast Iron	FC200
Cap	3/8 to 1 1/2 Brass	C3771BE
Cover	2 & larger Cast Iron	FC200
Screen	Stainless Steel	SUS304
Gasket	Asbestos-free	
Cover bolt/nut	Carbon Steel	
Plug	1 1/2 to 6 Stainless Steel	SUS304

Screen dimensions

Valve Size	A	P
3/8 to 2	1.4ø	2.4mm
2 1/2 to 5	1.5ø	2.5mm
6 & 8	3.0ø	5.0mm
10 & 14	5.0ø	7.0mm

120°C Non-shock water 1.4 MPa, 120°C Water, oil, air 1.0 MPa
120°C Gas 0.2 MPa, Saturated steam 0.7 MPa

Strainer dimensions

Valve Size	B	3/8	1/2	3/4	1	1 1/4	1 1/2	2	2 1/2	3	4	5	6	8	10	12	14	mm
	A	10	15	20	25	32	40	50	65	80	100	125	150	200	250	300	350	
L Face-to-face		115	125	140	150	170	190	230	305	360	415	465	515	580	680	800	950	
H Height		46	57	63	77	90	100	127	208	237	280	325	370	457	536	625	741	
H ₁		64	82	91	114	134	146	173	289	335	388	446	497	643	768	893	1047	