

JIS 10K

IRON GATE VALVE

Bolted bonnet, outside screw & yoke, rising stem.

Designed to JIS B2031

Fig. 10FCL

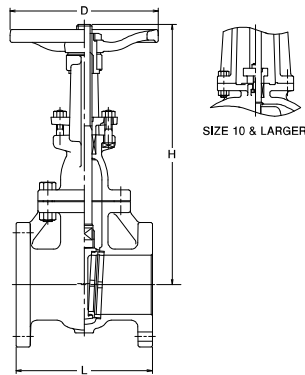
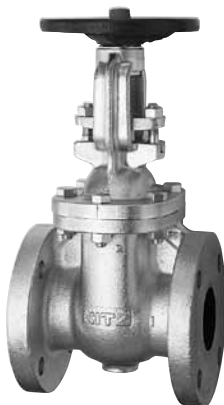
- Bronze trim

Fig. 10FCLS

- Stainless steel trim (13 Cr.)

Fig. 10FCLU

- Stainless steel trim (18-8)



Materials

Parts	Material	JIS Spec.		
		10FCL	10FCLS	10FCLU
Body	Cast Iron	FC200		
Bonnet	Cast Iron	FC200		
Stem	Brass/Stainless Steel	C3771BD	SUS403	SUS304
Disc	Cast Iron	FC200		
Disc seat ring	Brass/Stainless Steel	CAC406	SUS403	SUS304
Body seat ring	Bronze	CAC406	SUS403	SUS304
Gland	1 1/2 to 14	Ductile Iron		
	16 to 24	Stainless Steel		
Gland packing	Asbestos-free			
Gasket	Asbestos-free			
Gland bolt/nut	Carbon Steel			
Bonnet bolt/nut	Carbon Steel			
Yoke sleeve	Bronze	CAC406		
Hand wheel	1 1/2 to 8	Cast Iron		
	10 to 24	Ductile Iron		
		FCD400		

For JIS Valves Pressure-Temperature Ratings MPa, refer to page 2.

Dimensions

Valve Size	B	1 1/2*	2	2 1/2	3	4	5	6	8	10	12	14*	16*	18*	20*	24*	mm
	A	40	50	65	80	100	125	150	200	250	300	350	400	450	500	600	
L Face-to-face		165	180	190	200	230	250	270	290	330	350	381	406	432	457	508	
H Height (OPEN)		306	343	389	462	547	648	759	956	1168	1363	1560	1795	1995	2230	2640	
D Handwheel Diameter		160	170	170	200	250	280	300	350	400	450	500	600	600	680	760	

*JIS Mark is not applicable